

Lithium Coin Cell - CR 1225 H2

- Low self-discharge
- Long shelf life
- UN 38.3 tested
- Wide assortment of mounting options and wire terminals available



RoHS compliant



Pb free



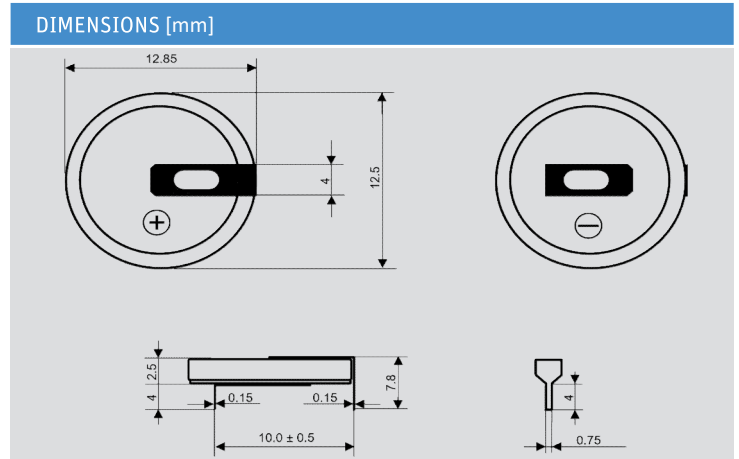
REACH compliant



Conflict mineral free

SPECIFICATIONS	
Jauch part number	248472
Nominal Voltage	3V
Nominal Capacity	48 mAh
Standard Load	68 kΩ
Standard Current	0.1 mA
Max. Continuous Current	0.3 mA
Max. Pulse Current	5 mA
Operating Temperature	-30°C to +85°C *
Weight	Approx. 0.87 g
Chemistry	Li/MnO ₂

Note: Capacity 48mAh is obtained at standard cc load to 2.0V at 23°C.



* In applications where the battery is exposed to temperatures >60°C, please contact Jauch.

